

# SKIPPER

# SUZUKI

For more than 50 years, SUZUKI has developed electronics that fishermen trust.

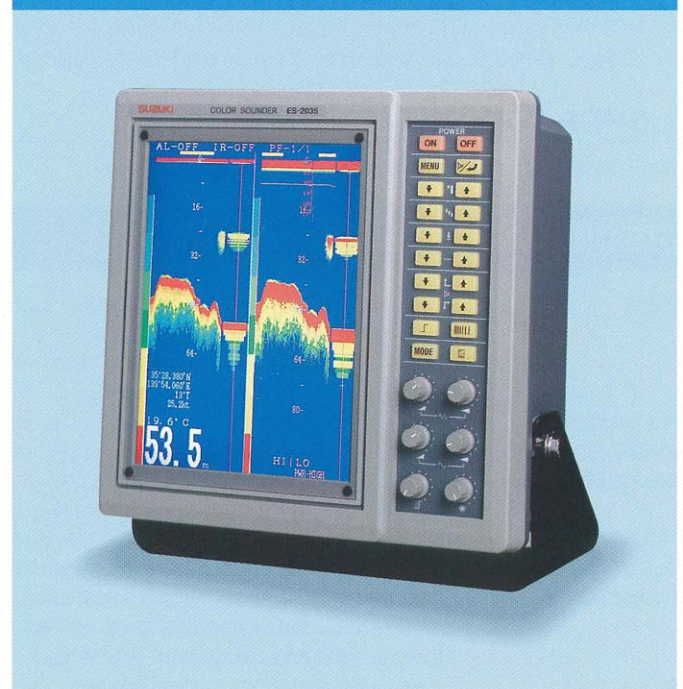
# ES-2035

10.4 inch COLOR LCD ECHO SOUNDER

## SINGLE FREQUENCY UNIT



## DUAL FREQUENCY UNIT



*SUZUKI FISH FINDER CO., LTD. is one of the leading echo sounder providers focused on customer needs and targets the commercial fishing market by providing value-added, customized sounders.*

## FEATURES

The ES-2035's advanced features make it suitable for a variety of fishing. Since introducing the ES-1025/2025, SUZUKI has made continual strides to improve its features.

The following shows the upgraded Echo Sounder ES-2035.

### CLEAR COLOR SCREEN

10.4 inch, bright, high resolution, sunlight readable, full-color advanced TFT screen

### EASY OPERATION

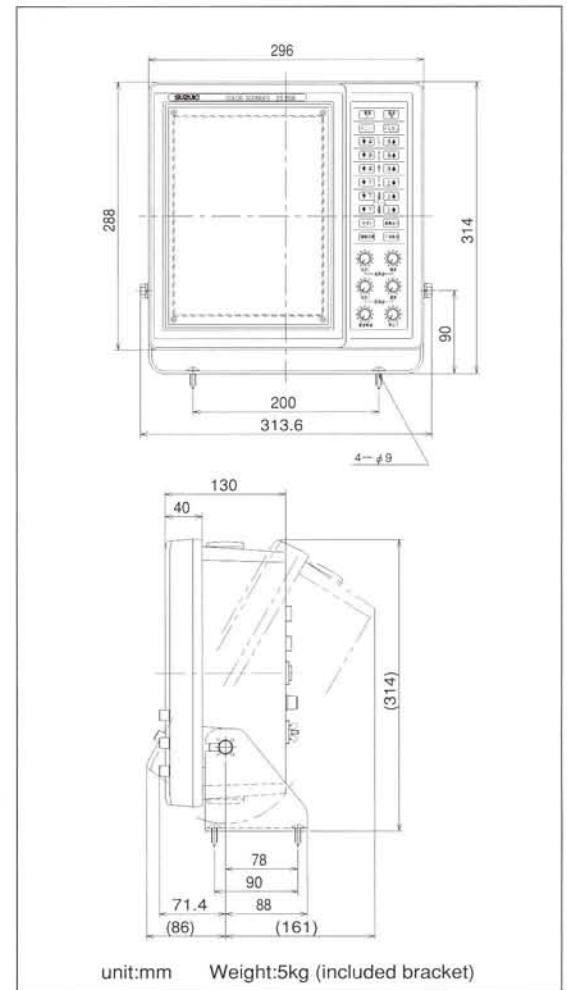
Simple key operation and setting menu

### VARSATILE FUNCTIONS

Dynamic range, ST-small target mode, Color palette function, A-scope, White Line feature, Depth and Fish Alarms

### LIGHT & COMPACT LCD monitor

An ideal unit to install where space is limited.



## SPECIFICATIONS

■ RANGE	0~5 · 10 · 15 · 20 · 30 · 40 · 50 · 60 · 80 · 100 · 150 · 200 · 300 · 500 · 1000 · 1500 · 2000 m fm or br 0~15 · 20 · 30 · 40 · 50 · 60 · 80 · 100 · 150 · 200 · 300 · 500 · 1000 · 1500 · 2000 · 3000 · 5000 ft
■ PHASED RANGE	The upper range limit may be set per 2/5 of the range between 0~999
■ PARTIAL EXPANSION	Available as a combination of the range and the phased range.
■ BOTTOM EXPANSION	0~1 · 2.5 · 5 · 10 · 20 · 50 · 100 · 250 m fm or br 0~5 · 10 · 20 · 50 · 100 · 250 · 500 · 1000 feet
■ FREQUENCY & OUTPUT POWER	Single frequency: either 50kHz(600w or 1kw) or 200kHz(600w) Dual frequency: 50kHz(600w or 1kw) & 200kHz(600w)
■ DISPLAY MODES	Single frequency: NORMAL · BOTTOM EXPANSION · A-SCOPE · NAVIGATION Dual frequency: 50kHz NORMAL · 200kHz NORMAL · 50/200kHz DUAL FREQUENCY · SMALL TARGET NORMAL · BOTTOM EXPANSION · A-SCOPE · NAVIGATION
■ DISPLAY DATA	Depth Scale · Depth(3 steps) · Water Temp.(3 steps) (OP)* · Temp. Scale (OP)* · VRMs · Lat/Lon (OP)* Speed (OP)* · Course (OP)*
■ FUNCTION DISPLAY	Alarm · Interference reduction · Picture speed · Auto range · Auto shift · Frequency(Dual frequency unit)
■ OTHER DISPLAY	Time marker (30 seconds elapsed time) · Color scale · Temp. graph (OP)* · Alarm set maker Expansion range line · TX power
■ OTHER FUNCTIONS	STC · Threshold · White line · Interference reduction · Noise reduction · Auto range · Auto shift Scale position change (2 positions) Depth display position (2 positions) · Alarms(shallow, deep, fish) Temp. display position change (2 positions) · Color tone selection (6 selections) · Output power reduction Expansion mode change(4 types) · Picture speed (stop & 4 changes) · User settings · Key function Backup
<b>OTHERS</b>	
■ DISPLAY	10.4 inch TFT color LCD monitor (H480×V640 pixels)
■ POWER SUPPLY	10.5~40VDC 25W Max.
■ INPUT DATA	Water temp. sensor (OP)* : OP-102 or OP-41 Temp. data (OP)* : NMEA-0183 (MTW) Positional data (OP)* : NMEA-0813 (VTG · GGA · GLL · RMC)
■ OUTPUT DATA	Data:NMEA-0183 (MTW · DBT) NOTE - (OP)*indicates that optional equipment is required.

\*Specifications are subject to change without notice.



For safe using, be sure to read the "Operation Manual" before using this model.

Skipper Electronics A/S  
Ryensvingen 5  
P.O.Box 151, Manglerud  
0612 Oslo, Norway  
[www.skipper.no](http://www.skipper.no)

Telephone +47 23 30 22 70  
Telefax +47 23 30 22 71  
E-mail: [skipper@skipper.no](mailto:skipper@skipper.no)  
Co.reg.no: NO-965378847 -MVA

**SKIPPER**