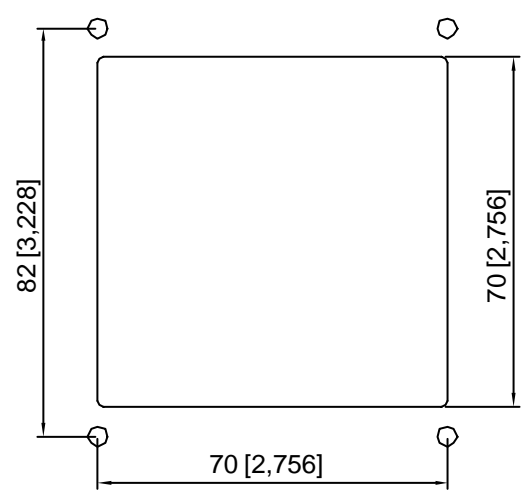
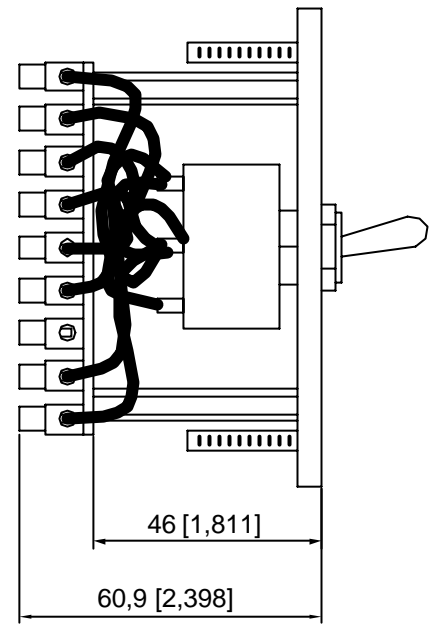
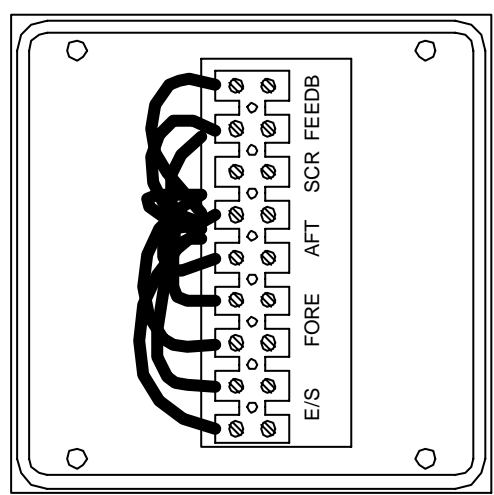


Turned 180°



Itemref	Quantity	Title/Name, designation, material, dimension etc			Article No./Reference	
Designed by AM	Checked by VF	Approved by - date VF-020815	File name ENS518	Date 020815	Scale 1:1	
SKIPPER Electronics AS			TRANSDUCER SELECTOR			
			ENS518		Edition I	Sheet 1/1