

10.4" COLOR TFT LCD Single-frequency sounder

SUZUKI

# ES-1080 SKIPPER

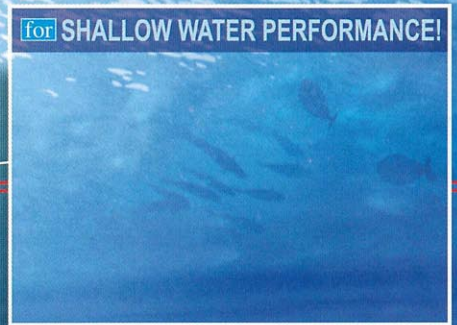
FFS (FLEX. FREQUENCY SYSTEM)

**FIND FISH FASTER**

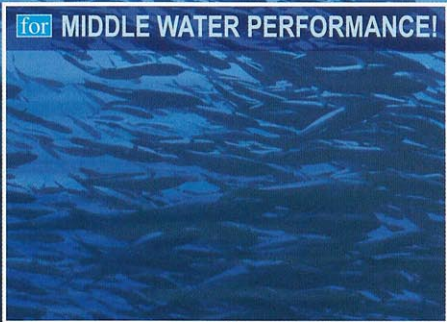
with

**SUZUKI ES-1080**

for SHALLOW WATER PERFORMANCE!



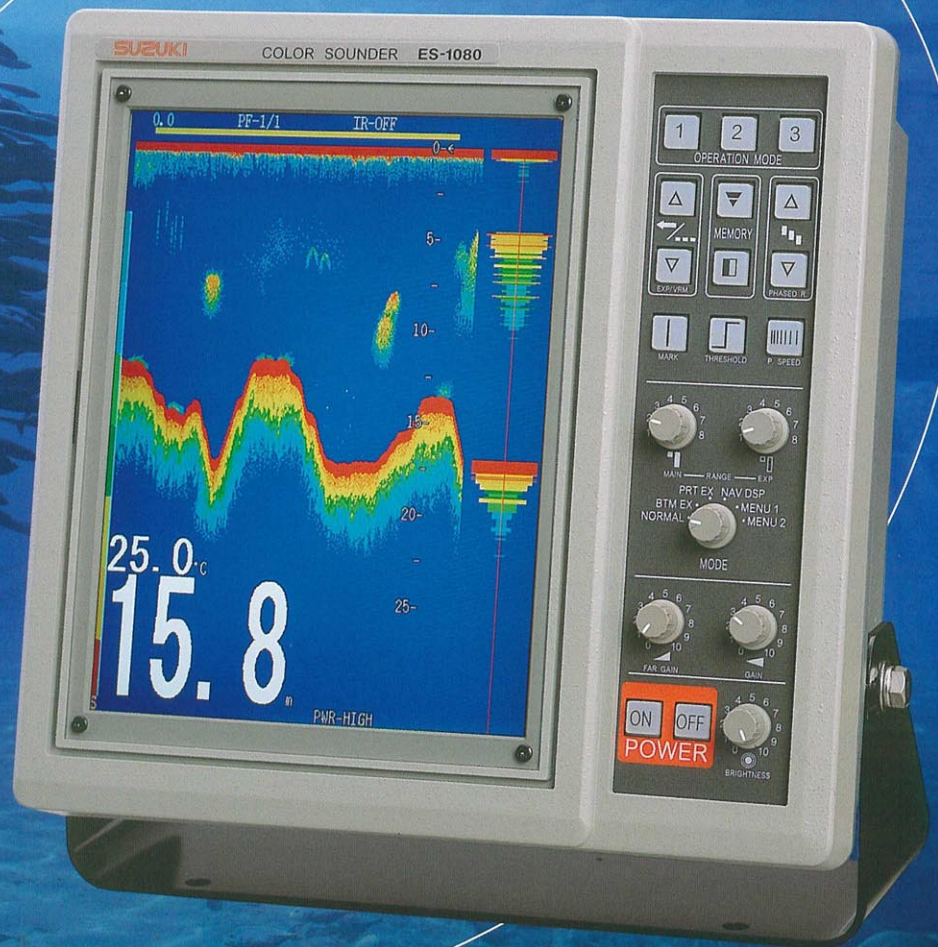
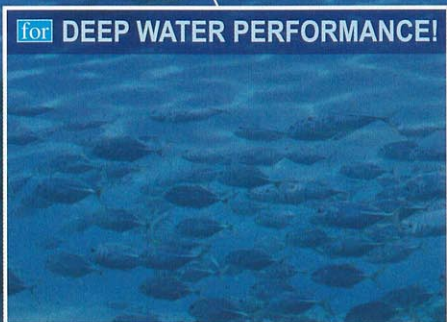
for MIDDLE WATER PERFORMANCE!



► **FFS** provides easy retrofit of Echo sounder by using an existing transducer.

► Any user-selectable operating frequencies are available by changing a transducer only.

for DEEP WATER PERFORMANCE!



FEATURES

**SUZUKI FLEX.FREQUENCY SYSTEM (FFS)**

FFS permits an ideal operating frequency you need.

**CLEAR-CUT ECHO DISPLAY**

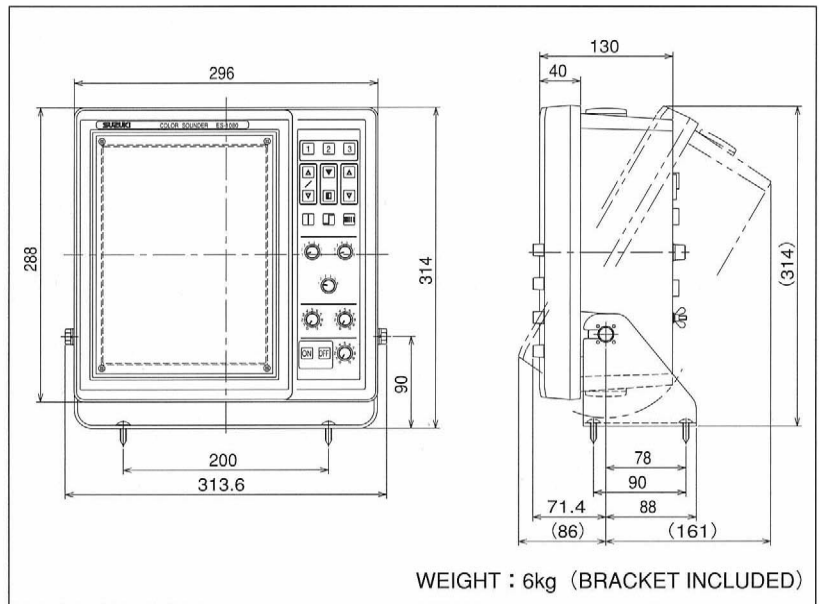
10.4" daylight-viewable, color LCD screen

**VARIETY OF DISPLAY SETTINGS**

User-selectable operating functions ; GAIN CONTROL, TVG CURVE (GRAPH), TRANSMIT RATE and PULSE WIDTH

**USEFUL OPERATION MODES**

The ES-1080 can be customized for 3 most frequently used modes.



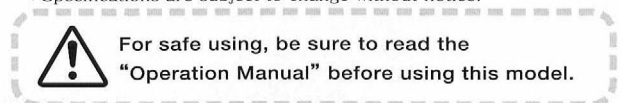
WEIGHT : 6kg (BRACKET INCLUDED)

SPECIFICATIONS

- RANGE PHASING UP TO 999m, br. fm or 2999ft.
- BASIC RANGES CUSTOMIZED 7 RANGES
- PART EXPANSION CUSTOMIZED 8 RANGES PRESENTABLE (MAX 200m)
- FREQUENCIES 20, 24, 28, 38, 40, 45, 49, 50, 60, 70, 75, 80, 150, 200kHz SINGLE FREQUENCY
- DISPLAY MODE
  - ① NORMAL DISPLAY ② BOTTOM EXPANSION DISPLAY (3 TYPES) + AUTO RANGE (SPLIT SCREEN DISPLAY)
  - ③ PARTIAL EXPANSION DISPLAY (SPLIT SCREEN DISPLAY) ④ NAVIGATION DATA DISPLAY
  - ⑤ RANGE SETTING/SOUNDER DISPLAY ⑥ FUNCTION SETTINGS/SOUNDER DISPLAY
  - ⑦ COLOR PALETTE SET MENU (COLOR SCALE+SOUNDER)
- DIGITAL DISPLAY
  - ① DEPTH ② DEPTH SCALE ③ RANGE PHASING ④ EXPANSION START/VRM ⑤ TIMER
  - ⑥ TEMP. & TEMP GRAPH\* ⑦ LAT/LON\* ⑧ SPEED\* ⑨ COURSE\*
- FUNCTION SET DISPLAY AUTO RANGE, AUTO SHIFT, PICTURE SPEED, INTERFERENCE REDUCTION, OPERATION MODE
- ADDITIONAL DISPLAY 30 SECOND INTERVAL MARK, COLOR SCALE, EXPANSION MARK, MARKER LINE, TX POWER
- OTHER FUNCTIONS OPERATION MODE, A-SCOPE, FAR GAIN CONTROL, GAIN CONTROL, TVG CURVE, STC, D RANGE, TRANSMIT. INTERVAL CHANGE, PULSE WIDTH CHANGE (AUTO, MANUAL), COLOR SELECTION, INTERFERENCE REDUCTION, NOISE REDUCTION, JAMMING REDUCTION, CLUTTER CONTROL, THRESHOLD ADJUSTMENT, TEMP. ADJUSTMENT, WHITE LINE, DATA MEMORY, OUTER RANGE DISPLAY, DRAFT ADJUSTMENT, ALARMS (TEMP, DEPTH, FISH) SCALE CHANGE, PICTURE SPEED.
- DATA INTERFACE -INPUT- WATER TEMP. SENSOR (OP-102, NMEA-0183 <MTW>)\*, NAVIGATIONAL DATA (NMEA-0183)\*, EXTERNAL SOUNDER\*
- DATA INTERFACE -OUTPUT- DEPTH DATA (NMEA-0183)\*, WATER TEMP. DATA (NMEA-0183)\*, MARKER (TLL)\*, EXTERNAL SOUNDER\*
- SCREEN 10.4 INCH COLOR TFT LCD MONITOR with a resolution of 480 (H) × 640 (V) pixels
- POWER SUPPLY 10.5 ~ 40VDC, Power consumption 45W

\* Specifications are subject to change without notice.

\* optional equipment is required.



Skipper Electronics A/S  
 Ryensvingen 5  
 P.O.Box 151, Manglerud  
 0612 Oslo, Norway  
**www.skipper.no**

Telephone +47 23 30 22 70  
 Telefax +47 23 30 22 71  
 E-mail: skipper@skipper.no  
 Co.reg.no: NO-965378847 -MVA

**SKIPPER**